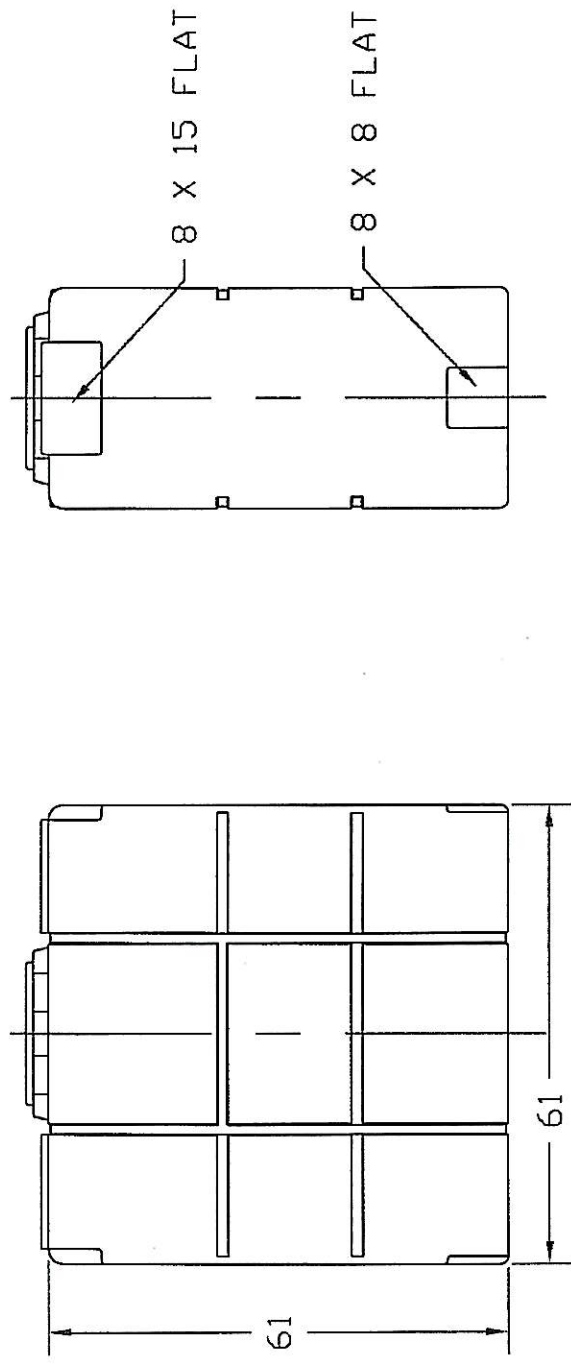
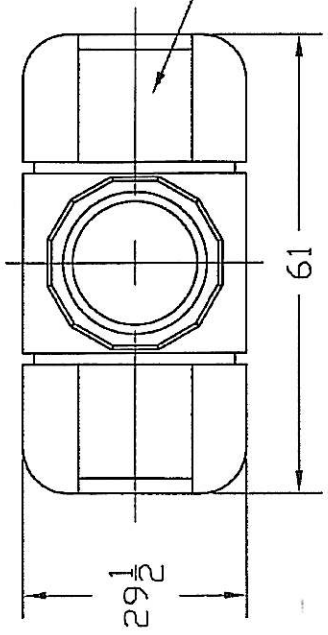


REVISIONS				
ZONE	REV	DESCRIPTION	DATE	APPROVED



NORWESCO ST. BONIFACIUS, MN		SIZE	FSCM NO.	DWG NO.	REV
350 IMPERIAL GALLON WATER TANK WITH FRAME		A		41015	
JTP	09JAN03	SCALE 1/24		SHEET	