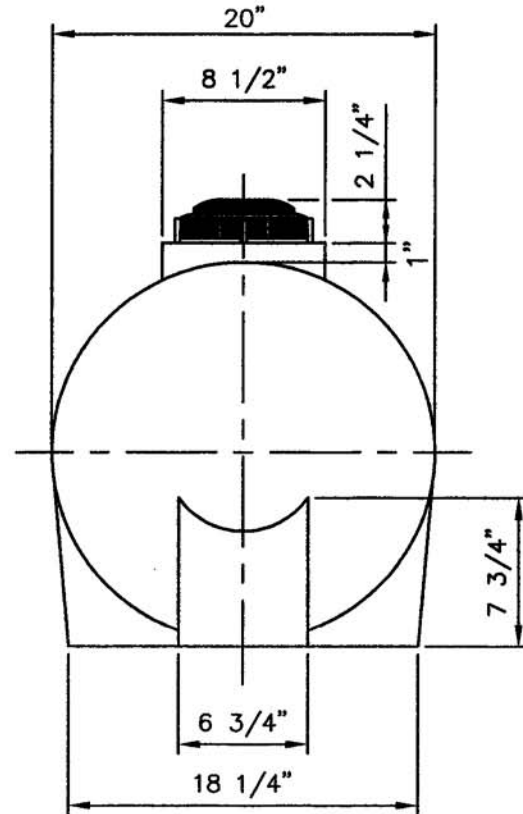
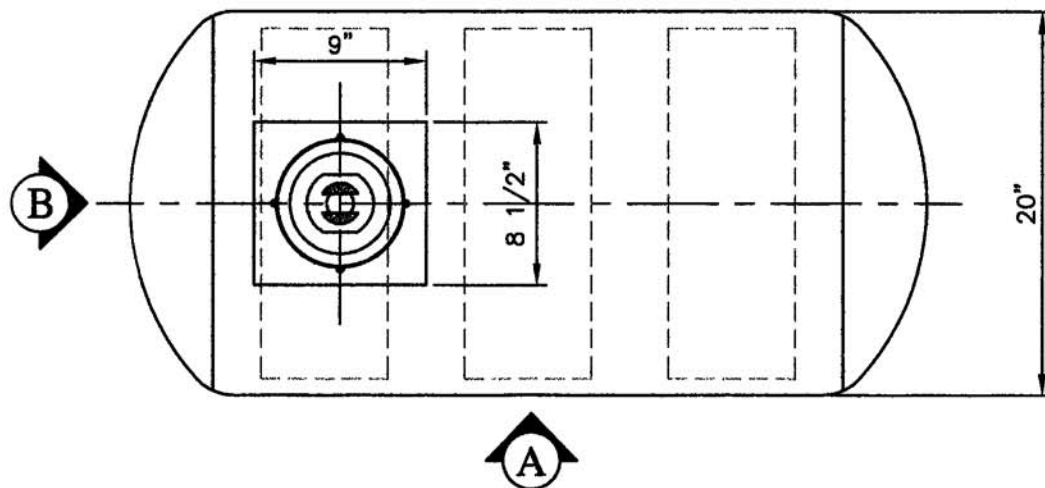


VIEW A



VIEW B

NOTE:
ALL DIMENSIONS ARE IN INCHES UNLESS OTHERWISE SPECIFIED



NORWESCO CANADA™		
40 IMPERIAL GALLON LEG TANK		
DWG NO:		REV
SCALE:	1:10	