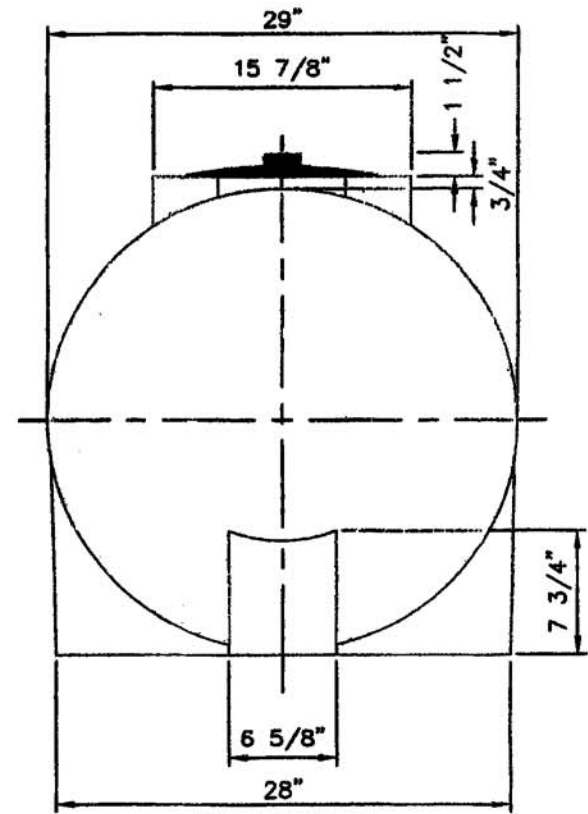
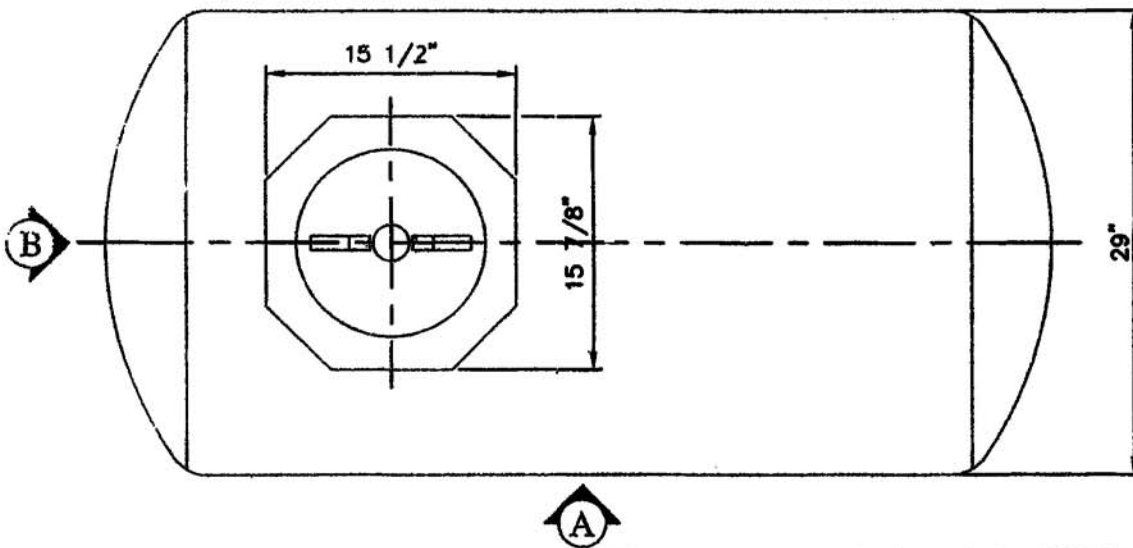


VIEW A



VIEW B



NOTE:

ALL DIMENSIONS ARE IN INCHES UNLESS OTHERWISE SPECIFIED



125 IMPERIAL GALLON
WATER LEG TANK

DWG NO:

REV

SCALE: 1:12