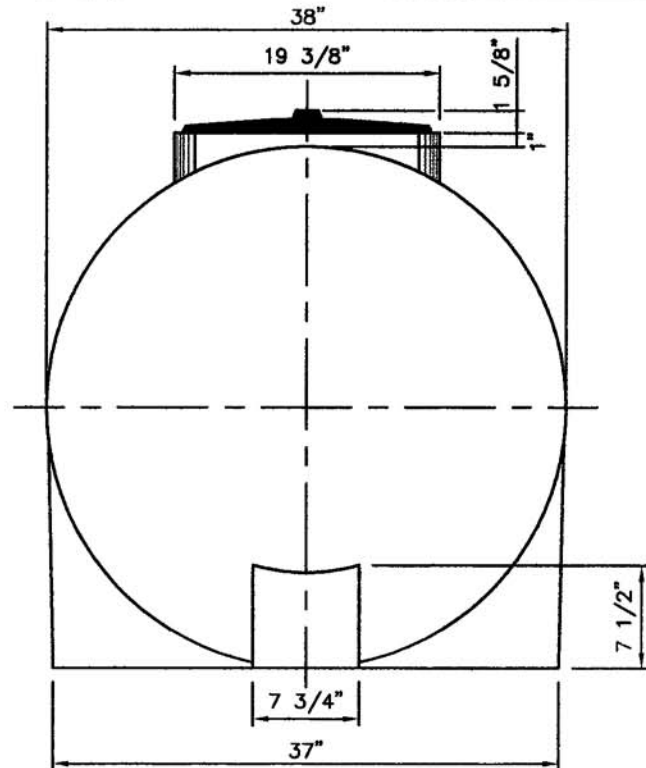
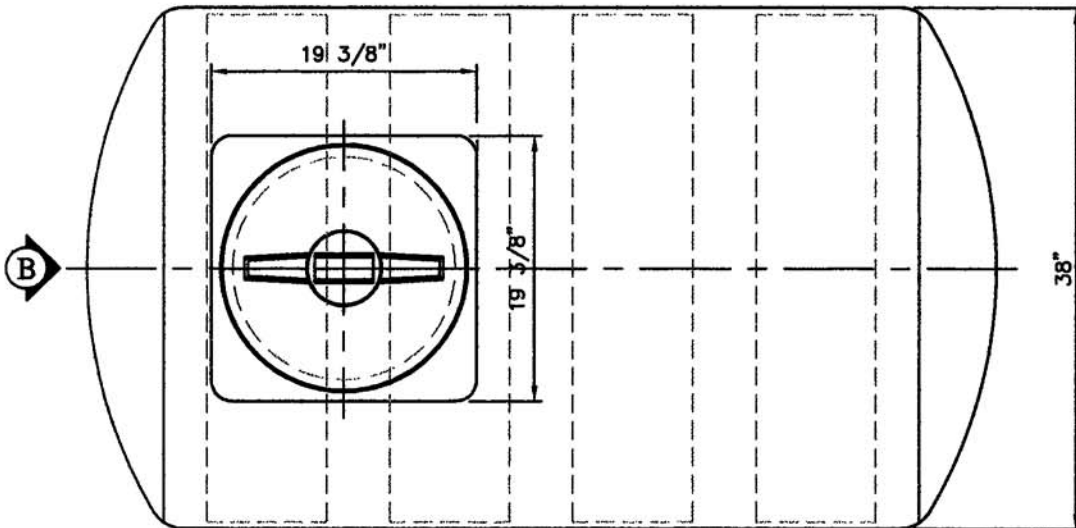


VIEW A



VIEW B



A

NOTE:
ALL DIMENSIONS ARE IN INCHES UNLESS OTHERWISE SPECIFIED

NORWESCO CANADA	
250 IMPERIAL GALLON LEG TANK	
DWG NO:	REV
SCALE: 1:14	