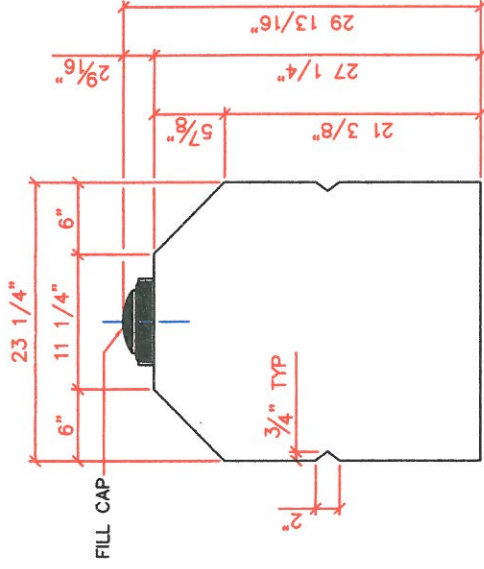
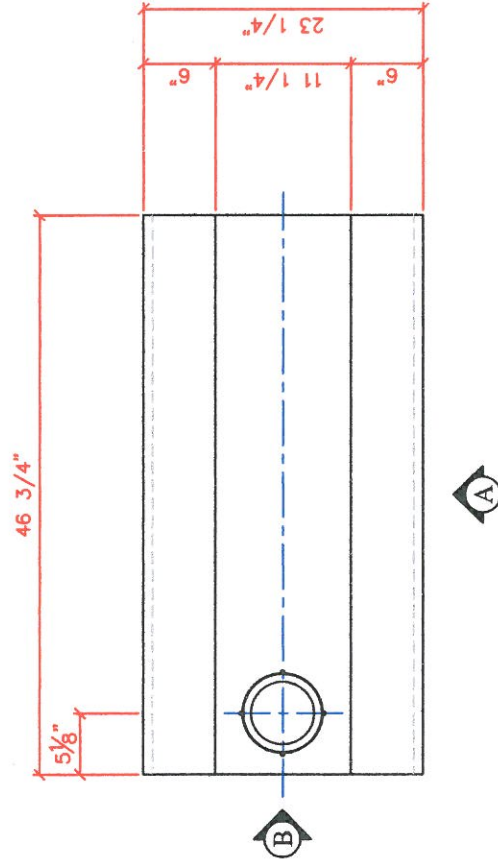


VIEW A



VIEW B



NOTE:
ALL DIMENSIONS ARE IN INCHES UNLESS OTHERWISE SPECIFIED



TITLE: **90 IMPERIAL GALLON
WH TANK**

DWG NO: 41123	APPROVED BY: MR. CASEY SANREGRET	REV
SCALE: 1:16		