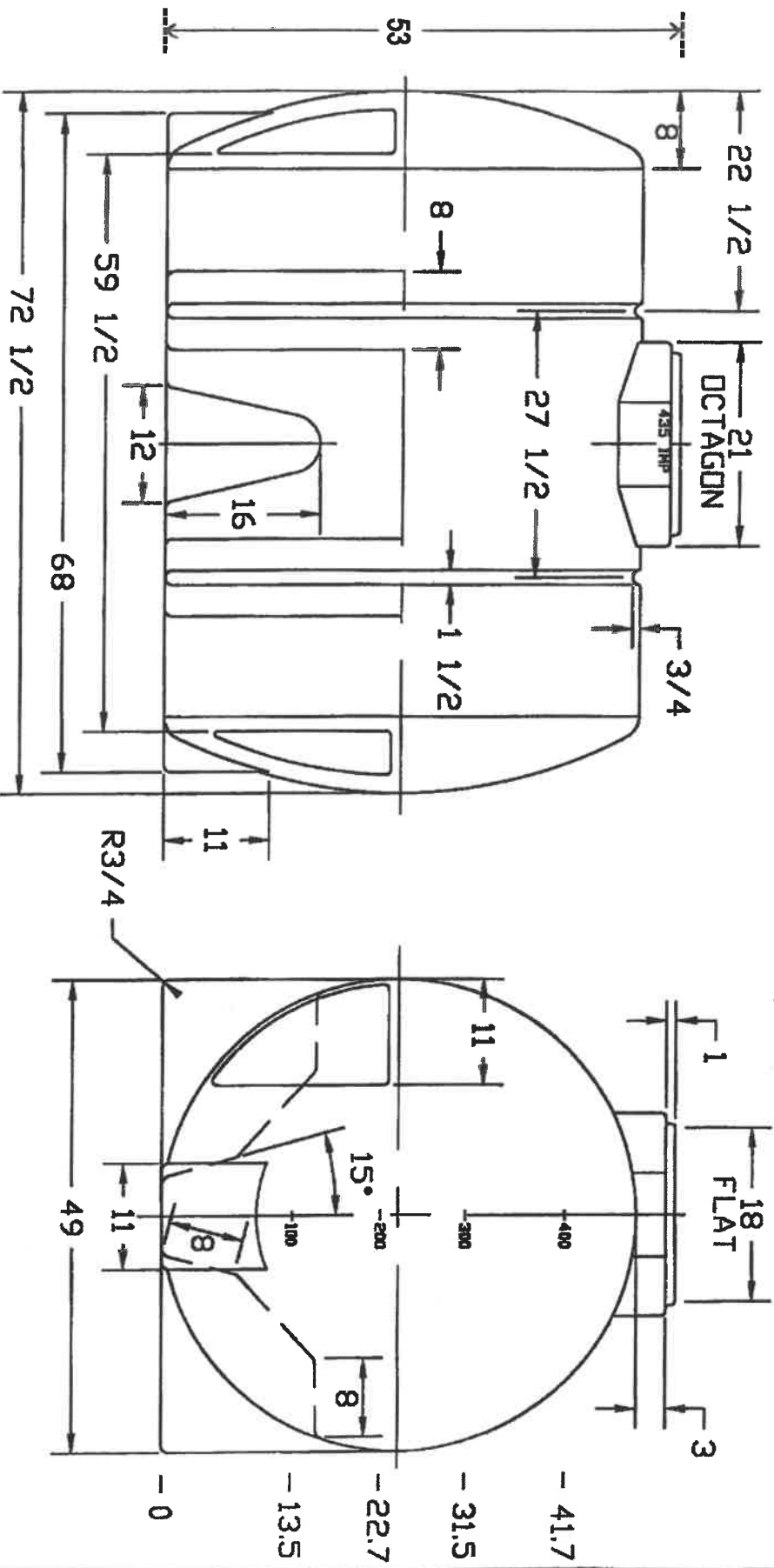


| REVISIONS | | | | |
|-----------|-----|-------------|------|----------|
| ZONE | REV | DESCRIPTION | DATE | APPROVED |
| | | | | |



NOTE: GALLONAGE MARKS BOTH ENDS

| | | | | | |
|-------------|--|--|--|-------|---|
| JTP 13JAN00 | | 425 IMPERIAL GALLON HORIZONTAL TANK | | |  |
| | | | | | |
| A | | | | 41229 | |
| SCALE 1/16 | | SHEET | | | |