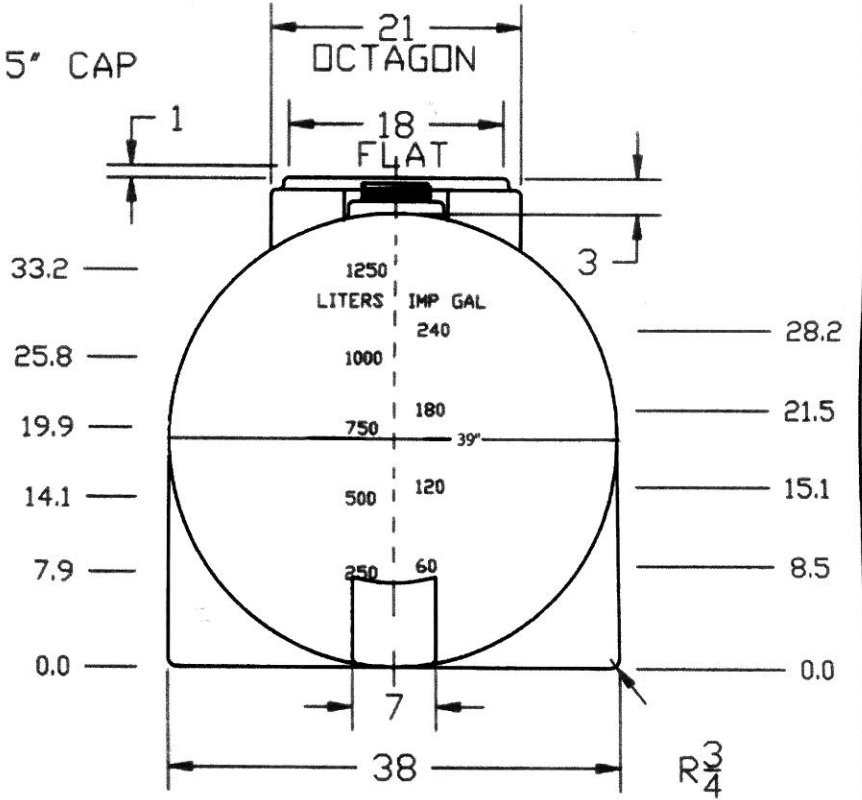
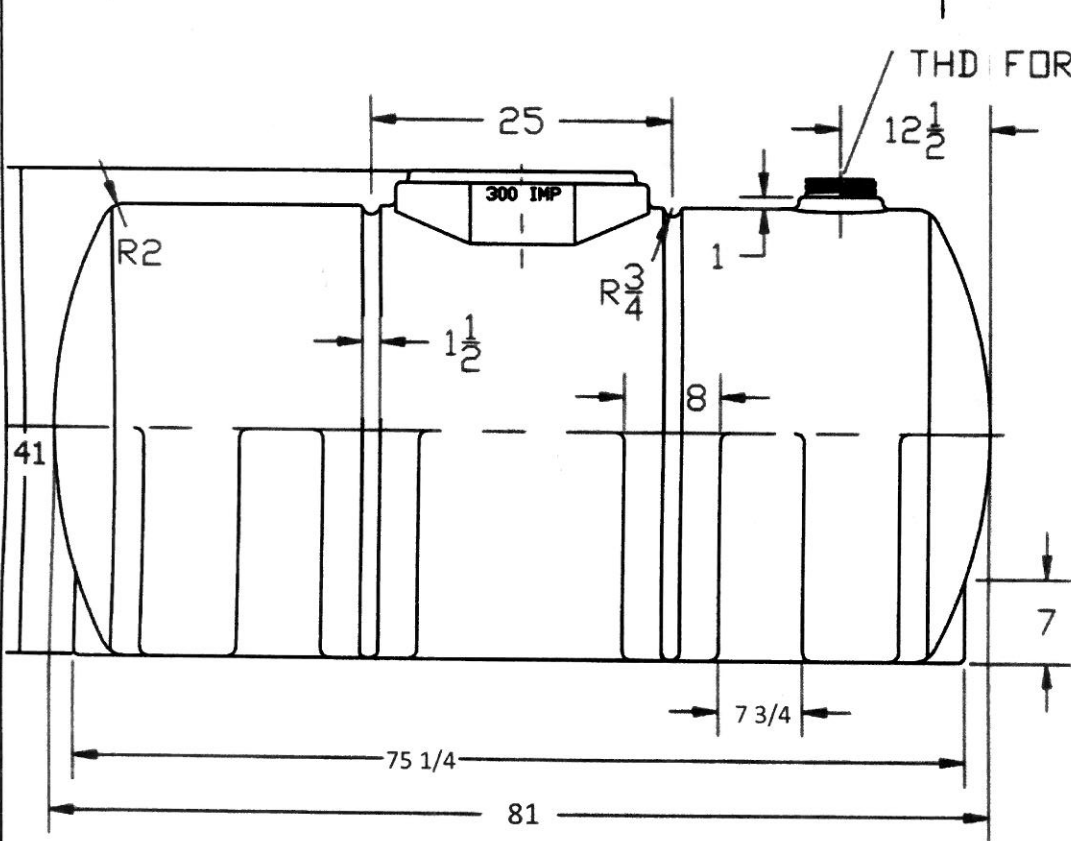


| REVISIONS | | | | |
|-----------|-----|-------------|------|----------|
| ZONE | REV | DESCRIPTION | DATE | APPROVED |
| | | | | |



| | | | | |
|-------------|----------|--|-------|--|
| JTP 13FEB02 | | NORWESCO ST. BONIFACIUS, MN | | |
| | | 300 IMPERIAL GALLON HORIZONTAL LEG TANK | | |
| SIZE | FSCM NO. | DWG NO. | REV | |
| A | | 41430 | | |
| SCALE 1/16 | | | SHEET | |