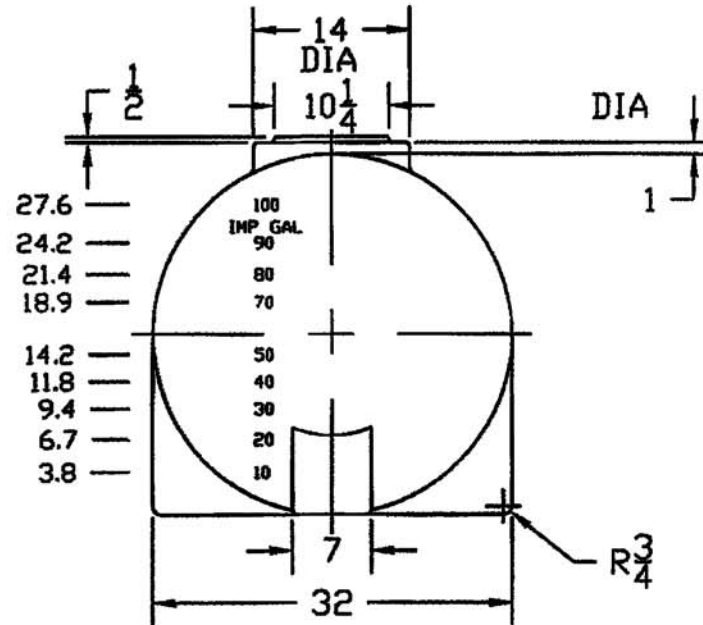
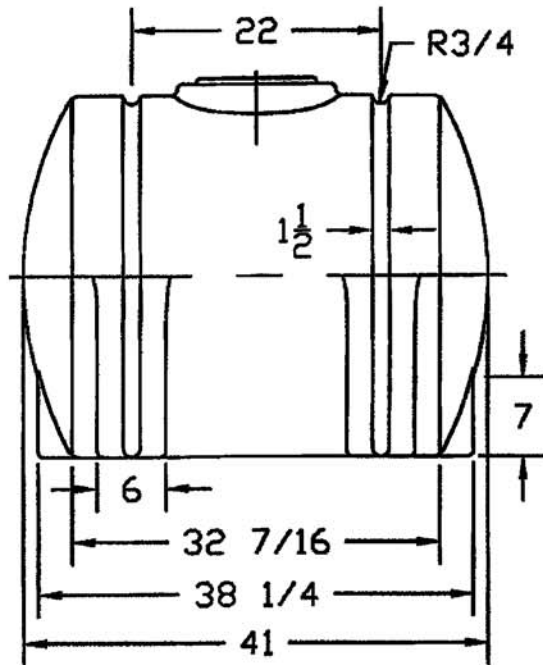




8 1/4 ACME THD,
RH, FOR 60002 LID



REVISIONS				
ZONE	REV	DESCRIPTION	DATE	APPROVED

JTP 11FEB03		NORWESCO CANADA		
		100 IMPERIAL GALLON HORIZONTAL LEG TANK		
SIZE A	FSCM NO.	DWG NO. 41941	REV	
SCALE 1/16		SHEET		