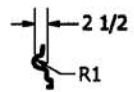
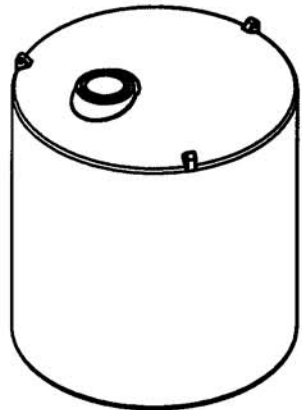
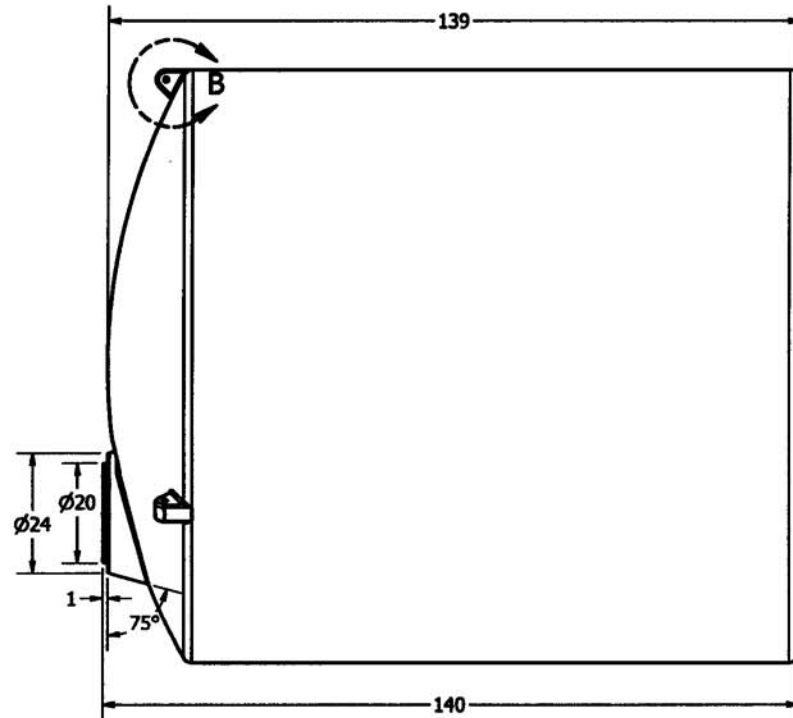
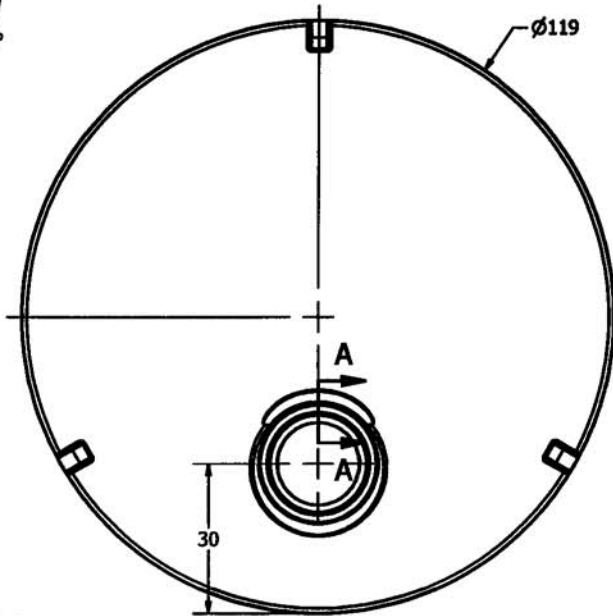



DETAIL B
SCALE 1 / 12



SECTION A-A
SCALE 1:24



DRAWN Jerry Paulson	9/19/2007			
CHECKED				
QA		5000 IMPERIAL GALLON VERTICAL TANK		
MFG				
APPROVED				
		SIZE B	DWG NO P/N	REV
		SCALE: 1/24	SHEET 1 OF 1	