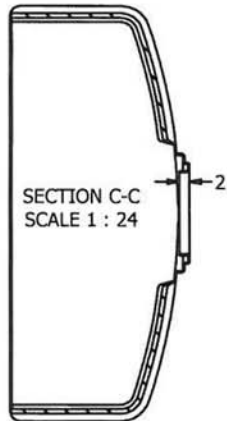
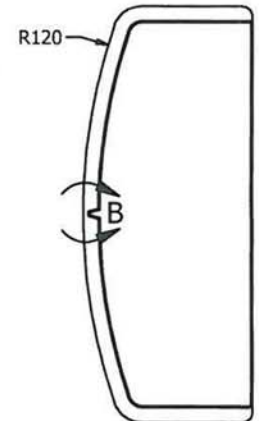
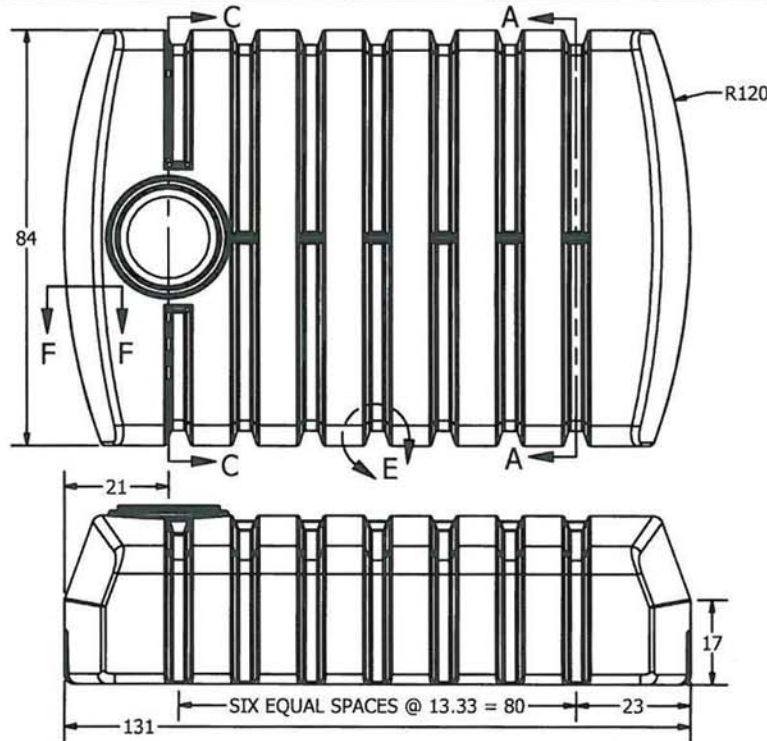


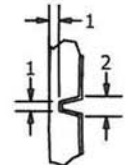
DETAIL E  
SCALE 1 / 12



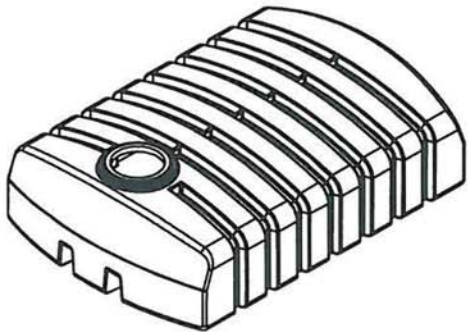
SECTION F-F  
SCALE 1 : 24




SECTION A-A  
SCALE 1 : 24



DETAIL B  
SCALE 1 / 12



FOB ST BONIFACIUS MN AND LANCASTER OH

DRAWN Jerry Paulson	3/23/2009			
CHECKED				
QA		TITLE		
MFG		1075 IMPERIAL GALLON LOW PROFILE WATER TANK		
APPROVED		SIZE	DWG NO	REV
		B	42890	
SCALE: 1/24		SHEET 1 OF 1		