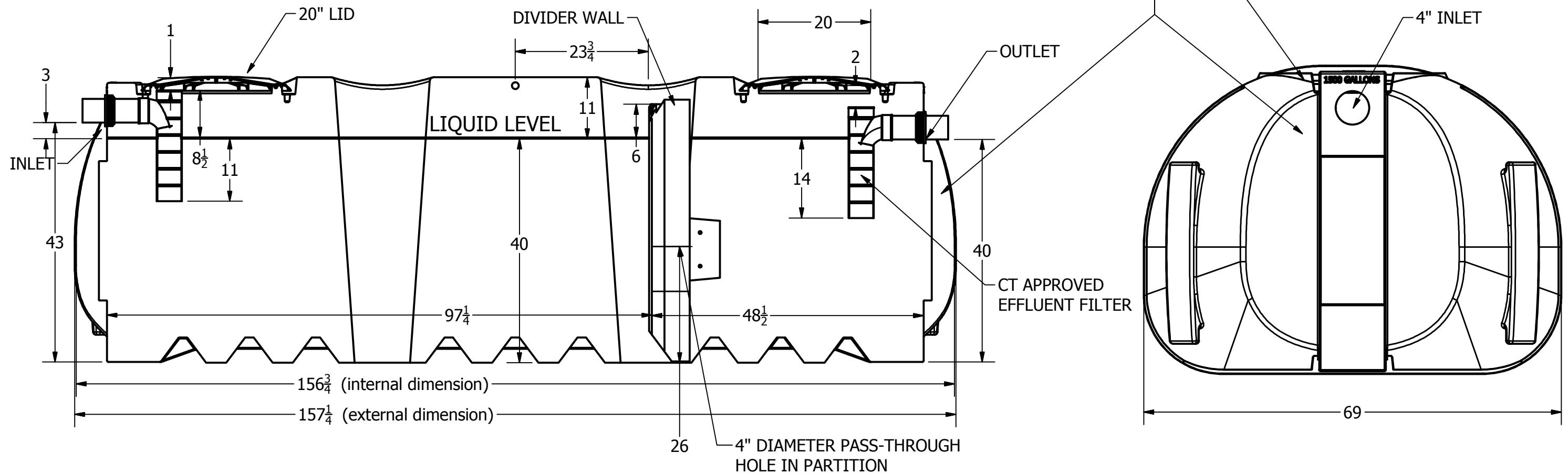


MATERIAL: HIGH-DENSITY POLYETHYLENE  
 WALL THICKNESS: TANK WALL - .250"  
 DIVIDER WALL - .19"


ZONE		REV	REVISION HISTORY	DATE	APPROVED
			DESCRIPTION		

SERIAL NUMBER EMBOSSED HERE  
 CAN BE REFERENCED TO THE  
 DATE OF MANUFACTURE

NORWESCO, INC.  
 ST. BONIFACIUS, MN 1250  
 IMP GALLON CAPACITY  
 MAX. EARTH COVER 3.0 FT



OPERATING VOLUME: PRIMARY COMPARTMENT: 835 GALLONS  
 OPERATING VOLUME: SECONADARY COMPARTMENT: 415 GALLONS

DRAWN Todd Bolzer	5/8/2012	 <b>NORWESCO</b> NORWESCO, INC., ST. BONIFACIUS, MN TITLE <b>1250 IMP GALLON LOW PROFILE SEPTIC          TANK - IAPMO</b>	SIZE <b>B</b>	DWG NO	REV
CHECKED			SCALE: 1/16	SHEET 1 OF 1	
QA					
MFG					
APPROVED					