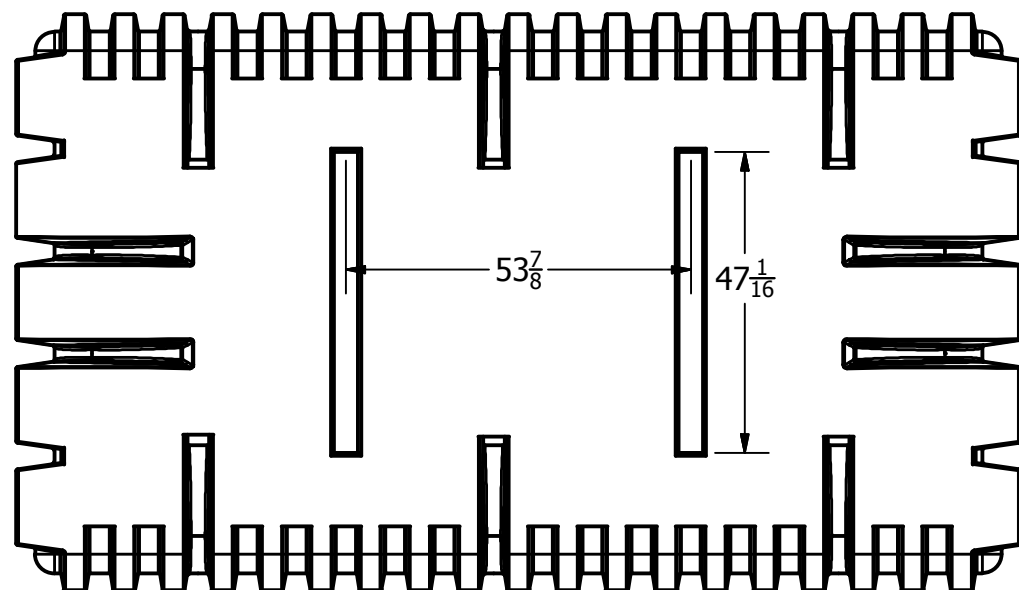



DETAIL A
SCALE 0.08 : 1



DRAWN	4/28/2014	 NORWESCO NORWESCO, INC. SAINT BONIFACIUS, MN		
CHECKED		TITLE		
QA		2100 IMP GALLON HORIZONTAL BOX		
MFG		WATER TANK		
APPROVED		SIZE	DWG NO	REV
		B	44335	
		SCALE: 1/16	SHEET 1 OF 1	