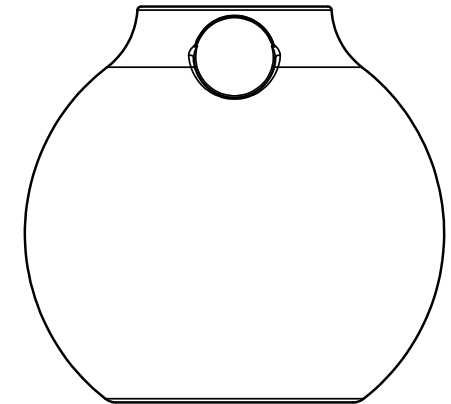
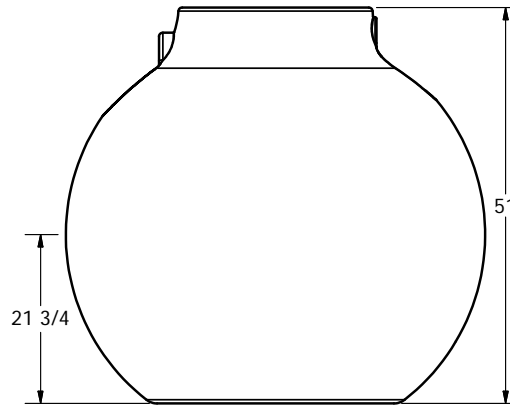
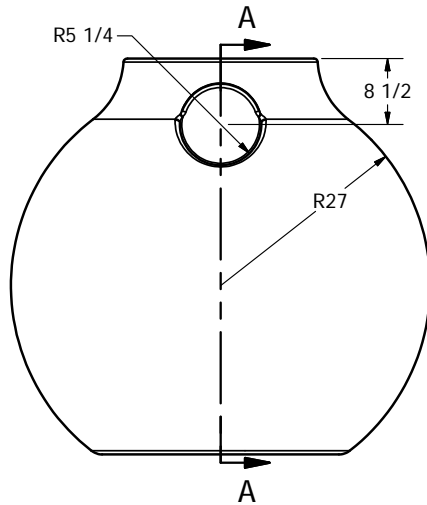


SECTION A-A  
SCALE 1/16



DRAWN	Jerry Paulson	5/13/2010
CHECKED		
QA		
MFG		
APPROVED		



NORWESCO, INC., ST. BONIFACIUS, MN

TITLE

250 IMP GALLON SPHERICAL PUMP  
TANK W/ RECESSED INLET/OUTLET -  
54" Dia

SIZE

B

DWG NO

44946

REV

A

SCALE: 1/16

SHEET 1 OF 1

REVISION HISTORY			
REVISION	DESCRIPTION	DATE	BY
A	REMOVED INLET HUB	5/24/2010	JTP