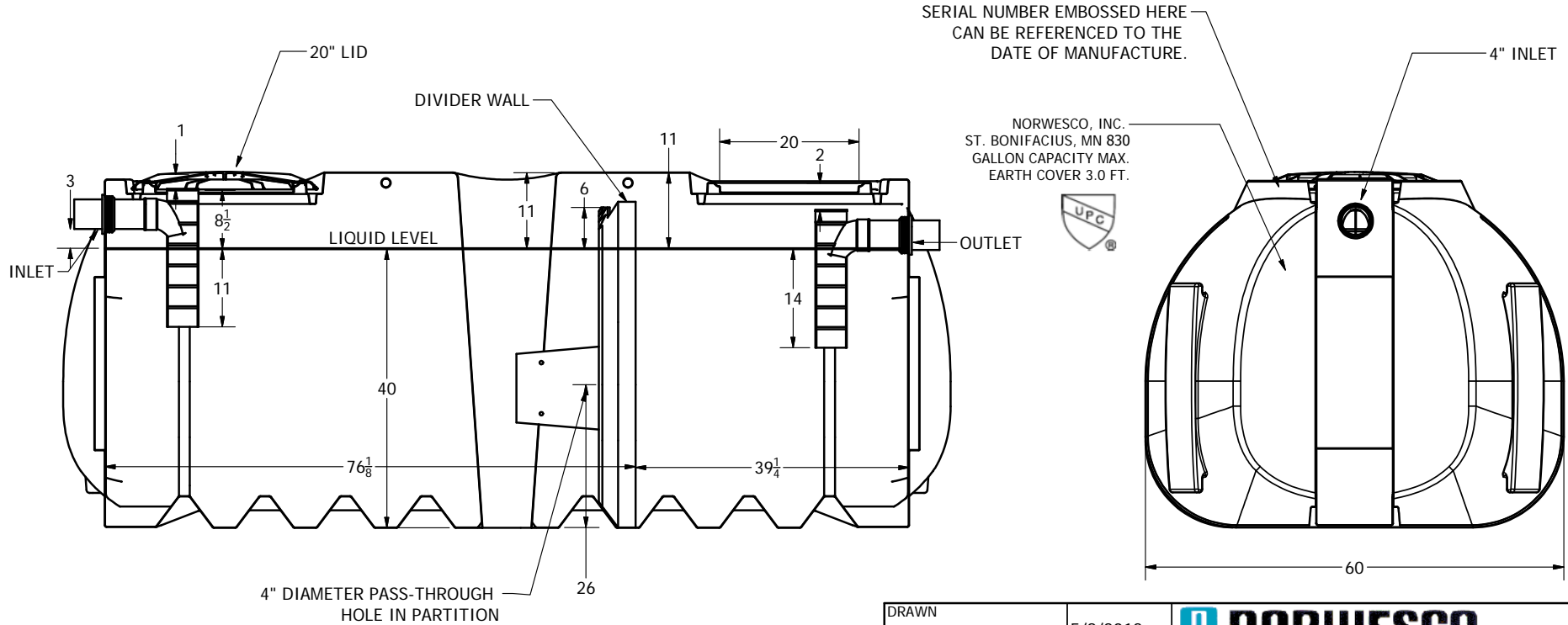



MATERIAL: HIGH-DENSITY POLYETHYLENE
 WALL THICKNESS: TANK WALL - .250"
 DIVIDER WALL - .19"

ZONE		REV	REVISION HISTORY	DATE	APPROVED
			DESCRIPTION		



OPERATING VOLUME: PRIMARY COMPARTMENT: 548 GALLONS
 OPERATING VOLUME: SECONDARY COMPARTMENT: 282 GALLONS

DRAWN Todd Bolzer	5/8/2012	 NORWESCO, INC., ST. BONIFACIUS, MN		
CHECKED				
QA		TITLE		
MFG		830 IMP GALLON LOW PROFILE SEPTIC TANK - IAPMO		
APPROVED				
		SIZE	DWG NO	REV
		B	830 Gallon IAPMO	
		SCALE: 1/16	SHEET 1 OF 1	