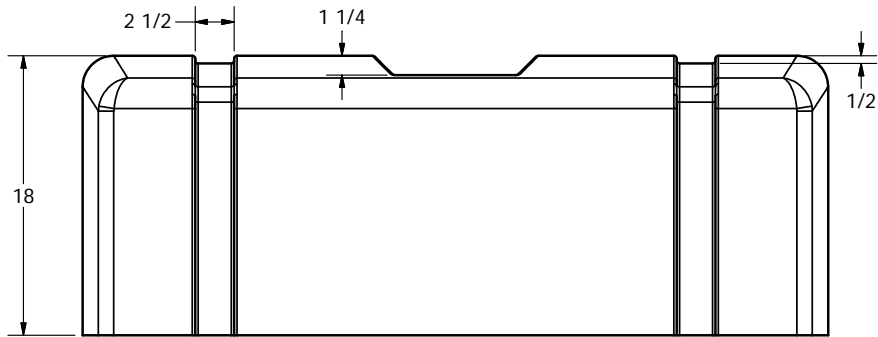
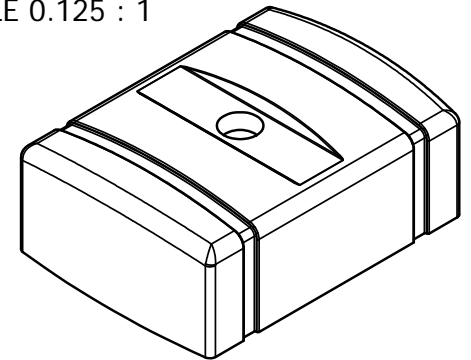



SECTION A-A
SCALE 0.125 : 1



| | | | |
|------------------------|------------|---|-----------------|
| DRAWN Jerry Paulson | 11/21/2008 |  | |
| CHECKED | | NORWESCO, INC., ST. BONIFACIUS, MN | |
| QA | | TITLE | |
| MFG | | 91 IMP GALLON LOW PROFILE UTILITY TANK | |
| APPROVED | | SIZE B | DWG NO 45315 |
| | | SCALE: 1/8 | REV |
| | | | SHEET 1 OF 1 |