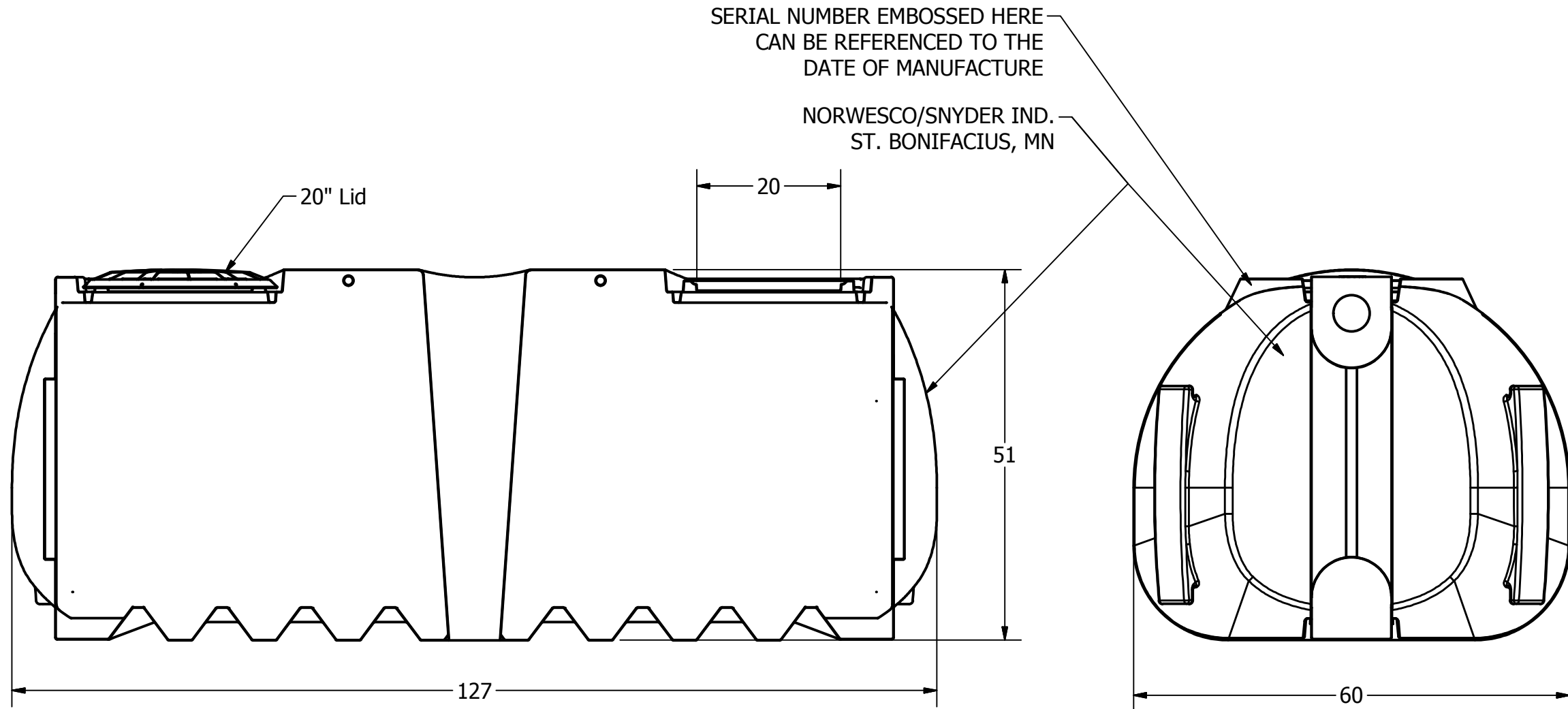



MATERIAL: HIGH-DENSITY POLYETHYLENE  
 NSF 61 LISTED  
 1175 US GALLONS WORKING CAPACITY

ZONE		REV	DESCRIPTION	DATE	APPROVED



ALL DIMENSIONS ARE IN INCHES, NOMINAL, AND SUBJECT TO CHANGE WITHOUT NOTICE.  
 ALL DIMENSIONS ON ROTATIONALLY MOLDED PARTS ARE SUBJECT TO A ±3% TOLERANCE

DRAWN Todd Bolzer	7/6/2015	 <b>NORWESCO</b> NORWESCO, INC., ST. BONIFACIUS, MN		
CHECKED				
QA		TITLE		
MFG		1000 IMP GAL LOW PROFILE CISTERN		
APPROVED		SIZE	DWG NO	REV
		B	45373	
		SCALE: 1/16	SHEET 1 OF 1	