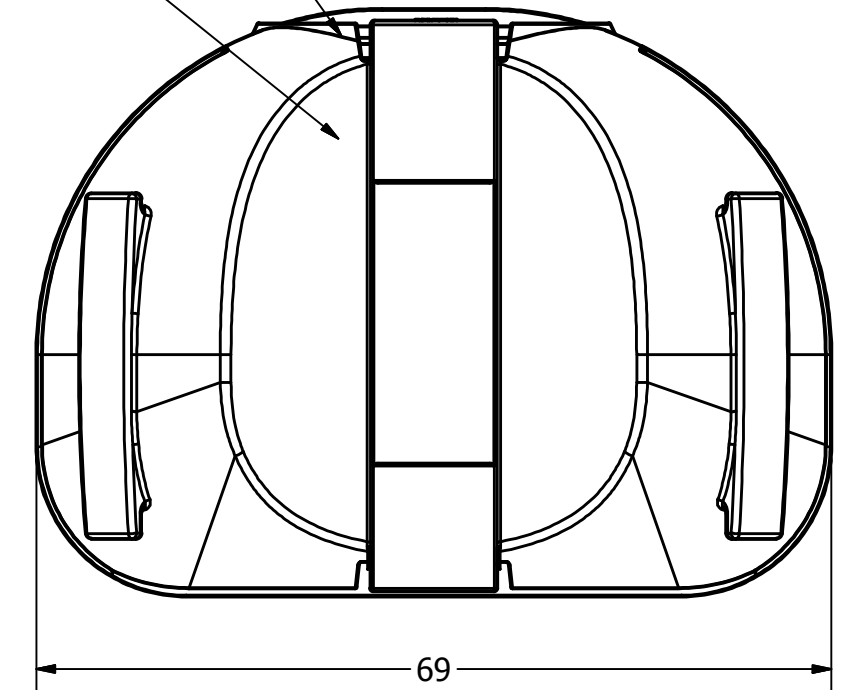
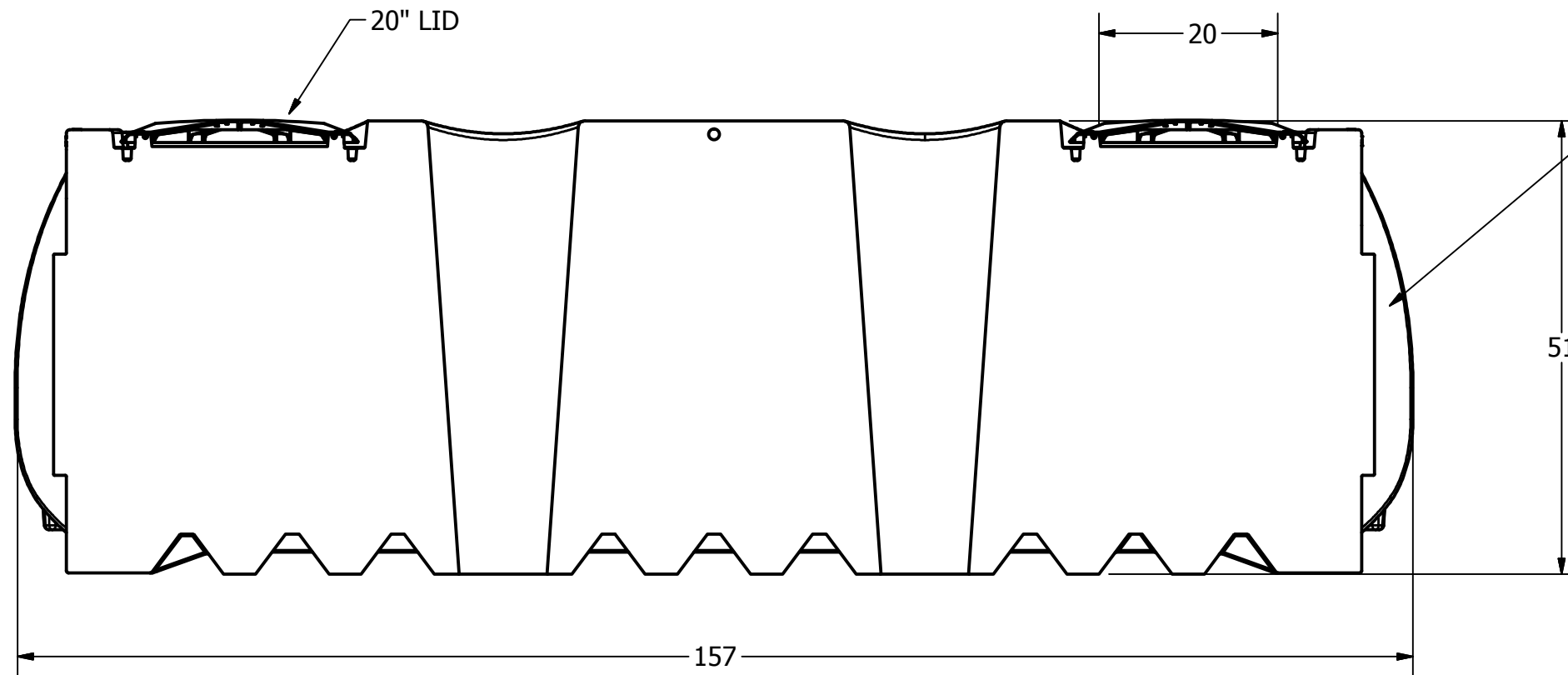


MATERIAL: HIGH-DENSITY POLYETHYLENE  
 NSF 61 LISTED  
 1725 US GALLONS WORKING CAPACITY


ZONE		REV	REVISION HISTORY	DATE	APPROVED
			DESCRIPTION		

SERIAL NUMBER EMBOSSSED HERE  
 CAN BE REFERENCED TO THE  
 DATE OF MANUFACTURE

NORWESCO, INC.  
 ST. BONIFACIUS, MN



ALL DIMENSIONS ARE IN INCHES, NOMINAL, AND SUBJECT TO CHANGE WITHOUT NOTICE.  
 ALL DIMENSIONS ON ROTATIONALLY MOLDED PARTS ARE SUBJECT TO A ±3% TOLERANCE

DRAWN Todd Bolzer	7/6/2015	 <b>NORWESCO</b> NORWESCO, INC., ST. BONIFACIUS, MN		
CHECKED				
QA		TITLE		
MFG		1450 IMP GAL LOW PROFILE CISTERN		
APPROVED		SIZE	DWG NO	REV
		B	45374	
		SCALE: 1/16	SHEET 1 OF 1	